



# UZ12 Ultralight



**Incredibly  
quiet operation**



**3 BEVELERS  
IN ONE**

Worm gearbox without  
a need to change oil

Powerful 3-phase  
400 W motor

Replaceable angular KIT

Machine tilting locking

Art. Nr. - following page





**The UZ12 ULTRALIGHT is one of the lightest bevelling machines with the automatic feed in the market. Thanks to its compact size and low weight it is perfect not only for workshops but also for assemblies. The machine is equipped with the automatic feed. Working with UZ12 ULTRALIGHT is therefore very comfortable. The quietest bevelling system on the market.**

- For conventional steel (up to strength of 600 MPA / 87 022 PSI), brass, copper and aluminum materials
- For bevelling material with minimum dimensions - width 65 mm / 2.56 in, length 60 mm / 2.36 in, thickness 3 mm / 0.12 in
- Thickness of bevelled material 3 - 35 mm / 0.12 - 1.37 in
- Bevelling of pipes from the internal Ø 95 mm / 3.74 in
- Variable bevel angle with replaceable arms/kits for each given angle
- Double-sided bevel (X, K) without the need for material handling
- Surprisingly silent drive.
- Equipped with an automatic feed
- Stationary or mobile use
- The machine works with large workpieces without any support. Speed 1.8 m/min / 5.9 ft/min
- Smaller parts of the material are inserted directly into the machine
- Lightweight and compact design. Single operator machine
- Thermal protection of the motor
- Packed in a wooden crate



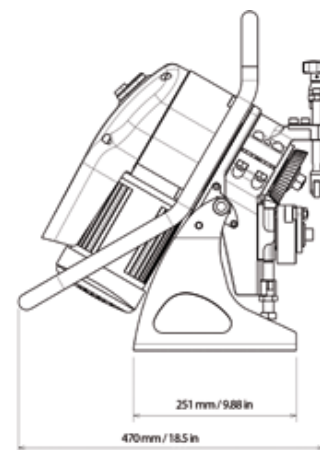
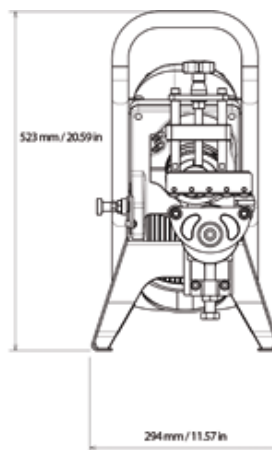
3D adaptive system



Art. Nr. 1930

**Technical data:**

Max. bevel width: 12 mm / 0.47 in  
 Bevel angle: 30°, 45°, 22.5°, 37.5°, 50° (replaceable KIT)  
 Thickness of bevel. material: 3 - 35 mm / 0.12 - 1.37 in  
 Engine: 400 W  
 Feed: 1,8 m/min. / 5.9 ft/min.  
 Weight: 30 kg / 66 lb  
 Dimensions: 470 x 294 x 523 mm / 18.5 x 11.57 x 20.59 in



**Included in price:**

Bevelling system UZ12 ULTRALIGHT.  
 Tools for an operator.  
 User manual.

**Machine name:**

Art. Nr. - 400V 3 phase      Art. Nr. - 480V 3 phase      Art. Nr. - 220V 3 phase

|  |      |      |      |
|--|------|------|------|
| Bevelling system UZ12 ULTRALIGHT - set (KIT 30° + 45°)   | 1922 | 1819 | 1913 |
| Bevelling system UZ12 ULTRALIGHT - set (KIT 22,5° + 30° + 37,5° + 45° + 50° + pipe bevelling tool) | 1918 | 1818 | 1912 |

**Accessories:**

|   | Art. Nr. |
|---|----------|
| ECO cutting tool - suitable for conventional steel  | 1927     |
| ECO cutting tool - suitable for conventional steel - 2 + 1 free set   | 1928     |
| PVD cutting tool - suitable for tougher materials   | 1916     |
| PVD cutting tool - suitable for tougher materials - 2 + 1 free set  | 1935     |
| Separate KIT 22.5°  | 1926     |
| Separate KIT 30°  | 1923     |
| Separate KIT 37.5°  | 1925     |
| Separate KIT 45°  | 1924     |
| Separate KIT 50°  | 1929     |
| Pipe and tube bevelling fixture from Ø 95 mm / 3.74 in (internal diameter)  | 1919     |
| 3D Manipulator - allows you to rotate the machine by 180° thus creating a two-sided bevel and facilitates the machine transport at the workplace. | 1930     |
| Adapter for connecting UZ 12 Ultralight with the 3D Manipulator   | 1911     |
| Bevelling Solver - a portable calculator for cutting calculations for N.K.O Machines (see page 44 - 45)   | 1900     |



Art. Nr. 1928

Art. Nr. 1927

Art. Nr. 1916



Art. Nr. 1900



Art. Nr. 1919



Art. Nr. 1911



Art. Nr. 1930

