

MOBILE BELT GRINDER PASOVEC 75 RUNNER

Purchase order No. 1300 – 400 V / 60 Hz

Purchase order No. 13001 – 480 V / 60 Hz

Purchase order No. 13002 – 220 V / 60 Hz



Operating manual

CHANGE RESERVED

Contents:

General information	3
Description of RUNNER machine	3
Identification data	4
Tests	4
Warranties	4
Safety regulations	5
Technical specification	7
Accessories	7
Device unpacking	7
Controls of RUNNER	8
Use	9
Maintenance and operation	10
Spare parts	11
List of spare parts	12
Wiring diagram	14
Basic dimensions	15



Always read the operating instructions carefully before use

1. General information

Thank you for purchasing one of our machines and we hope you will be fully satisfied with it.

This manual contains all the instructions for installing, adjusting, operating and maintaining the PASOVEC 75 RUNNER in accordance with applicable safety standards.

The information and data in this manual may be subject to change as a result of further machine upgrading. To resolve any doubts, please contact N.KO Machines in case of discrepancies.

Never perform any operations on the machine before you read and understand the instructions in the manual. Lots of accidents that occur at the workplace are caused by not following the guidelines and recommendations contained in the manual.

Graphical symbols in this manual are used to highlight important information about the safety and operation of the machine.



Attention:

Important information for the operator's personal safety.



Important:

Instruction to be followed to ensure the proper operation of the machine.

2. Description of the PASOVEC 75 RUNNER machine

The mobile belt grinder PASOVEC 75 RUNNER only is designed for the following activities:

The mobile belt grinder PASOVEC 75 RUNNER is designed for grinding at a workshop or a production hall.

This is a hand-driven machine. Only use the machine in an environment protected from rain, snow and other adverse weather conditions.

Mobile belt grinder PASOVEC 75 RUNNER - Mobile sander PASOVEC 75 RUNNER – the special belt grinder developed for flat grinding applications.

Particularly for grinding of the welds in the material surface and further for removal of the undesirable layer resulting from the rolling of metal sheets or after metal sheet cutting by means of plasma or oxygen.

The machine has a stable chassis, a quick adjustment mechanism and a depth stop for precise grinding depth adjustment.

- Continuous grinding depth adjustment
- System for the quick working mode deactivation
- The workplace of flat grinding of small workpieces
- Low operating costs

Purchase order No.

1300 – 400 V / 60 Hz

13001 – 480 V / 60 Hz

13002 – 220 V / 60 Hz

3. Identification data

The identification data of the PASOVEC 75 RUNNER mobile grinder are listed on the label attached to the machine body.

4. Tests

The PASOVEC 75 RUNNER mobile grinder is tested in our technical testing room.

During this test the correct function of the machine is tested.

5. Warranties

The seller provides for the PASOVEC 75 RUNNER mobile belt grinder the warranty that the goods will be free of any material and manufacturing defects for the period of 12 months from the date of the goods delivery.

The warranty of the perfect operation of the goods and the used materials is 12 months from the date of the goods delivery.

The seller undertakes to remove any defects covered by the warranty free of charge and without undue delay so that the buyer can properly use the goods. If the buyer applies the rights of liability for defects not covered by the warranty, he shall pay to the seller any costs associated with the warranty.

The manufacturer considers the warranty invalid in the case of:

- machine misuse.
- use contrary to national or international standards
- incorrect installation
- faulty power supply
- serious maintenance deficiencies
- unauthorized modifications or interventions
- Using other than original and factory-approved spare parts and accessories for the model in question
- Complete or partial non-compliance with the instructions in this manual
- exceptional events, natural calamities, or others.

6. Safety regulations



Attention:

To avoid injury, observe the following

Before starting work make sure the machine is not mechanically or otherwise damaged.

Only operate the machine if the power cord is not damaged. Regularly check the condition of the machine and the supply cable. In the event of damage, have it replaced immediately by a workshop authorized to carry out such repairs. Contact your supplier.

The employer is obliged to inform operators about safety standards and make sure that they are complied with. Make sure the work space is large enough and well lit.

"Operator" means a person who installs, operates, adjusts, maintains, cleans and repairs the machine.



Attention:

Prior to work commencing the operator must become familiar with the machine's features and must read this entire manual.



Attention:

When working with the machine, take increased care and wear safety aids for safe work.

Operator (s) must always:

1. Make sure before the machine starts that all safety covers are mounted and that the safety devices are functional.
2. Avoid wearing the type of clothing or jewellery that might be caught in moving parts.
3. Wear approved safety clothing, such as footwear with non-slip sole, hearing protectors, and safety goggles.
4. Apply safety standards, see that they are always upheld, and in case of any doubts, look again in this manual before taking any action.
5. Contact the machine supplier if the defects that cause the machine to malfunction cannot be remedied when the defects relate to faulty parts or irregularities.

Safety device

The machine is equipped with an emergency button. It is red, and stops the machine immediately before all other operations.

This emergency button is used:

- To turn off the machine
- In case of immediate danger or mechanical accident



Remaining risks

The machine has been designed and manufactured with all the equipment and equipment to ensure the health and safety of the operator.

The machine is designed in such a way that the risk of contact with movable parts is as low as possible.

7. Technical specification

	PASOVEC 75 RUNNER
Voltage (V)	400 V (220 V, 480 V)
Frequency (Hz)	60 Hz
Motor(kW)	3 Kw
Belt speed (m/s)	30 m/s
Size of grinding belt (mm)	75X2000 mm
Weight (kg)	70 kg
W x H x L (mm)	610x944x1419 mm

8. Accessories

Purchase order No. BELT STANDARD ZK75X2000

Universal grinding belt 75x2000mm, grain optional 36, 60, 80 or 120 (package of 10 pcs)

Purchase order No. PAS top Quality XK75X2000

TOP Quality grinding belt is designed for grinding stainless steel 75x2000mm, optional grain 36, 60, 80 or 120 (package of 10 pcs)

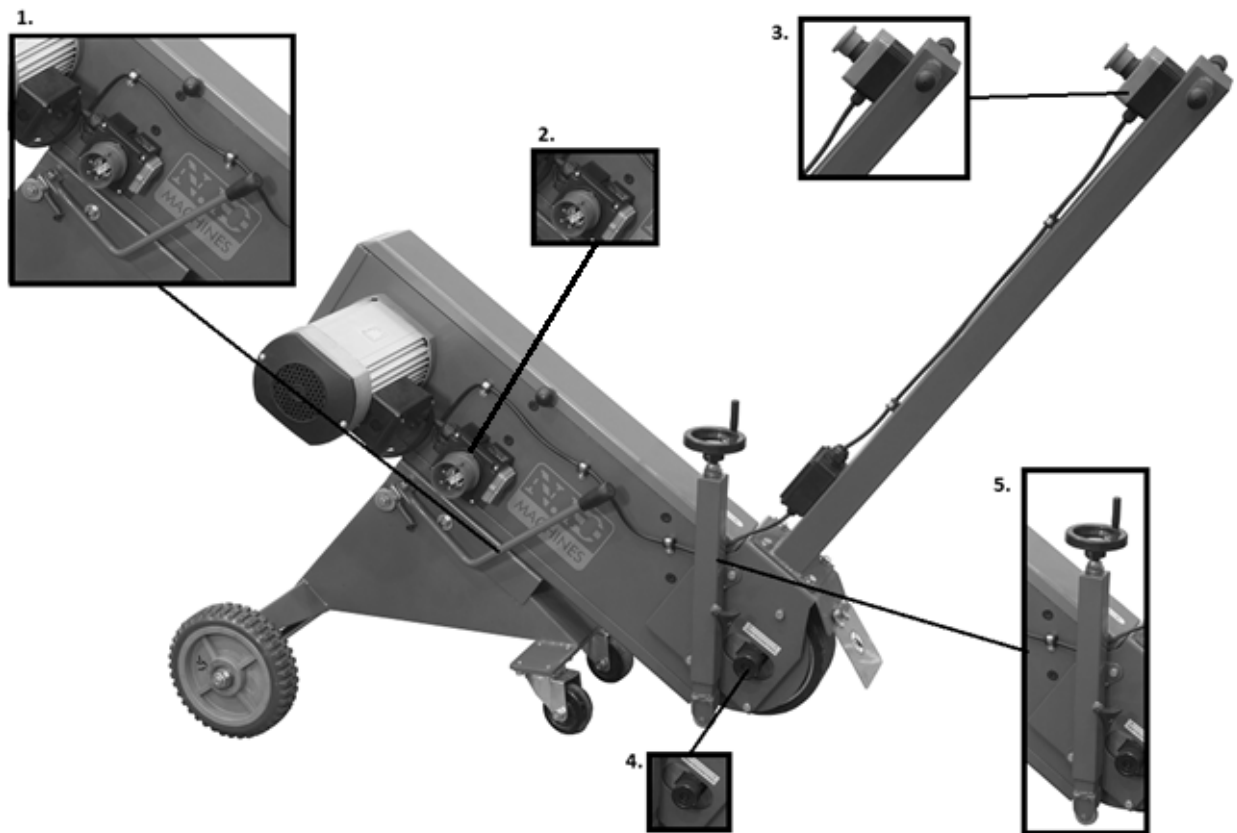
9. Device unpacking

Unpack the machine from a wooden box and check that everything is OK and the machine is undamaged. If you have any questions, please contact your reseller.

Mobile belt grinder PASOVEC 75 RUNNER is supplied:

Belt grinder PASOVEC 75 RUNNER
Packed in the wooden box
1 pc of the grinding belt, grain 80
Operation manual

10. Controls of the mobile belt grinder PASOVEC 75 RUNNER

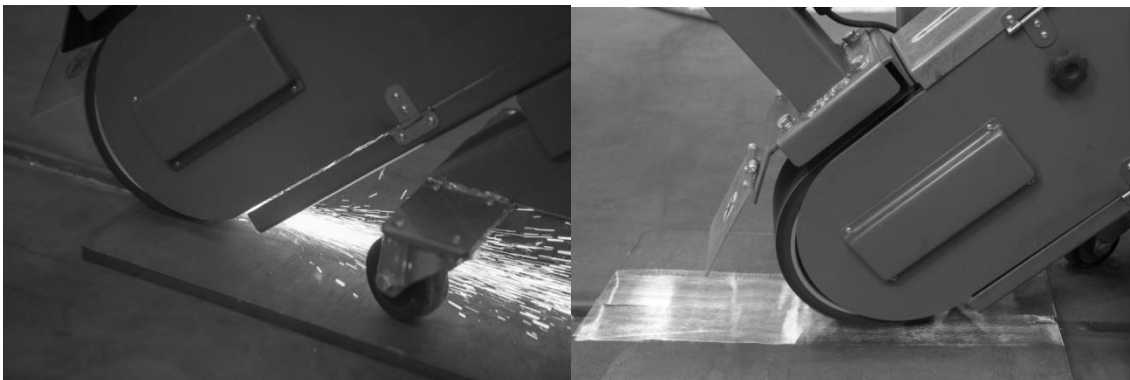


1. Securing the machine in the non-working position (transport mode)
2. Power supply connection and ON/OFF control
3. Emergency switch
4. Belt centering mechanism
5. Removal adjustment mechanism

11. Use

Always unplug the power supply before adjusting the machine.

1. Release the mechanism lever to secure the machine in the transport position (pos. 1)
2. Using the removal adjustment mechanism (pos.5), ensure that the contact wheel with the abrasive belt is slightly touching the material. Set the removal mechanism adjustment before using the machine to the position so that it has sufficient power for subsequent removal adjustment.
3. Re-secure the machine lock lever in the transport position (pos.1)
4. Connect the appliance to the power supply (pos. 2). Before connecting to the power supply (pos. 2), always make sure that the device is not damaged.
5. Press the green button to start the device
6. Set the desired removal depth. Hold the device behind the control handle to prevent the machine from starting spontaneously. Start with the less removal and gradually increase the value until the machining depth matches your requirement or working with the machine is still comfortable.
7. Hold the control handle firmly and press the machine in front of you to start the grinding process.
8. Adjust the size of the removal as required, see point number 2.
9. When finished, turn the appliance off with the red button and disconnect it from the power supply.



Attention:

When adjusting, use gloves and other personal protective equipment. The operations must be performed on the machine at rest and after disconnection from the power supply.

12. Maintenance and operation



- Before starting maintenance, disconnect the power supply from the socket first. Adjustment, lubrication and maintenance must be carried out when the machine is completely at rest.

Pay attention to the maintenance of the drive and contact wheel. Monitor their wear and weighing. Remove dirt. Regularly clean and maintain the cleanness of the outside of the grinder and remove the shredded material and dust from the outlet and the inside of the grinder.



Important:

Pay the increased attention to the wear of the graphite pad on the flat grinding surface. In case of its wear, excessive friction occurs and overloading and consequent damage to the machine may occur.

Belt replacement

We only can achieve satisfactory grinding results when using a completely clean grinding belt. Otherwise, the belt must be replaced.

This can be done by unlocking the handle of the eccentric mechanism that tensions the belt. After removing the grinding belt and replacing it with the new one return the eccentric handle to its original position.

Proceed as follows:

- Switch off the machine.
- Make sure that the belt is completely at rest.
- Use the Allen key to open the side cover.
- Loosen the belt using the belt tension lever.
- Replace the belt.
- Check the condition of the graphite pad on the flat grinding surface
- Tension the belt using the belt tension lever.
- Close and secure the side cover.

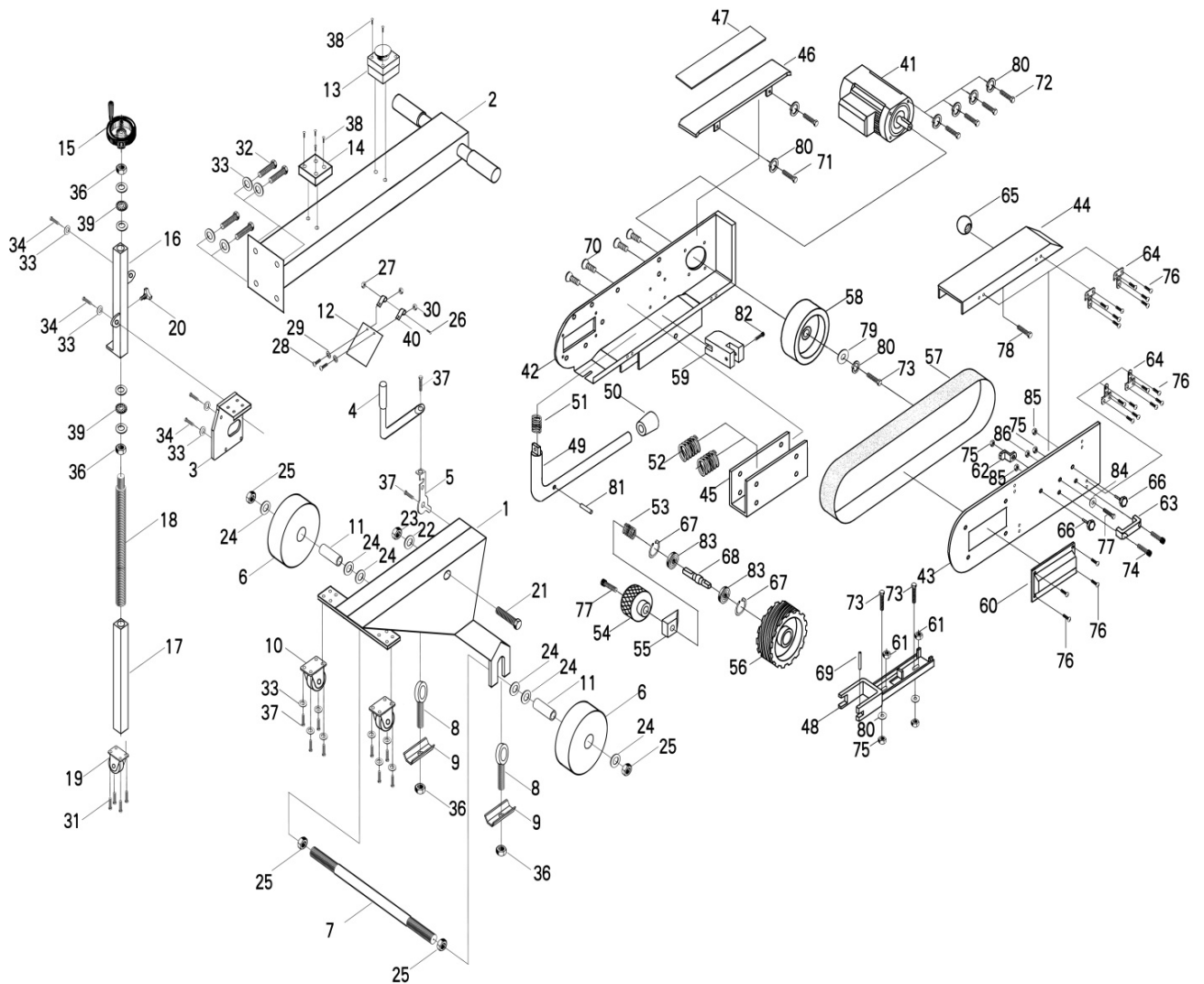


13. Spare parts and accessories

Purchase orders for spare parts must contain the following information:

- Machine type
- Serial number
- Description of the required part and its number
- Quantity

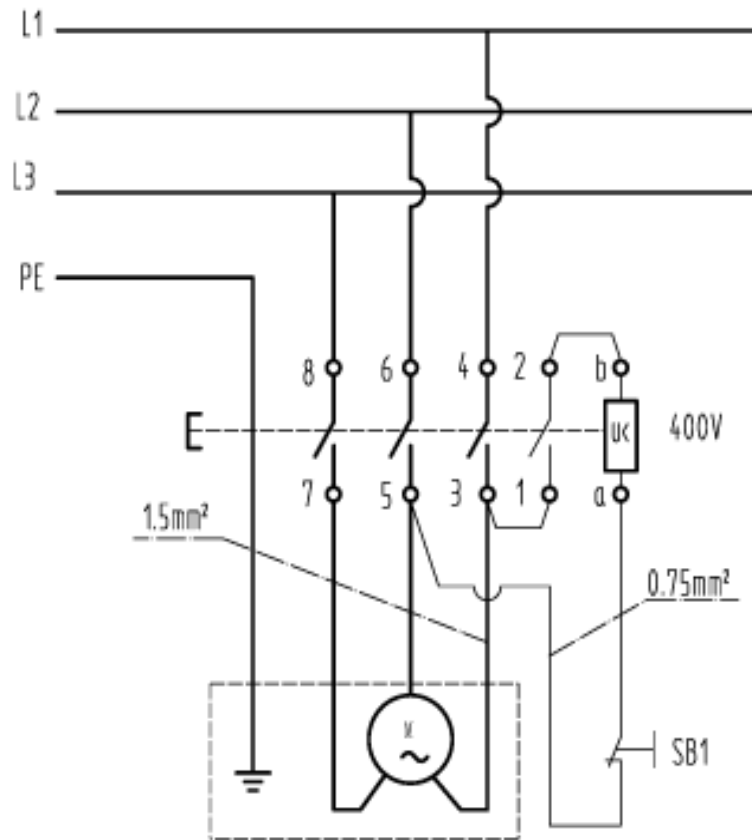
13.1 List of spare parts



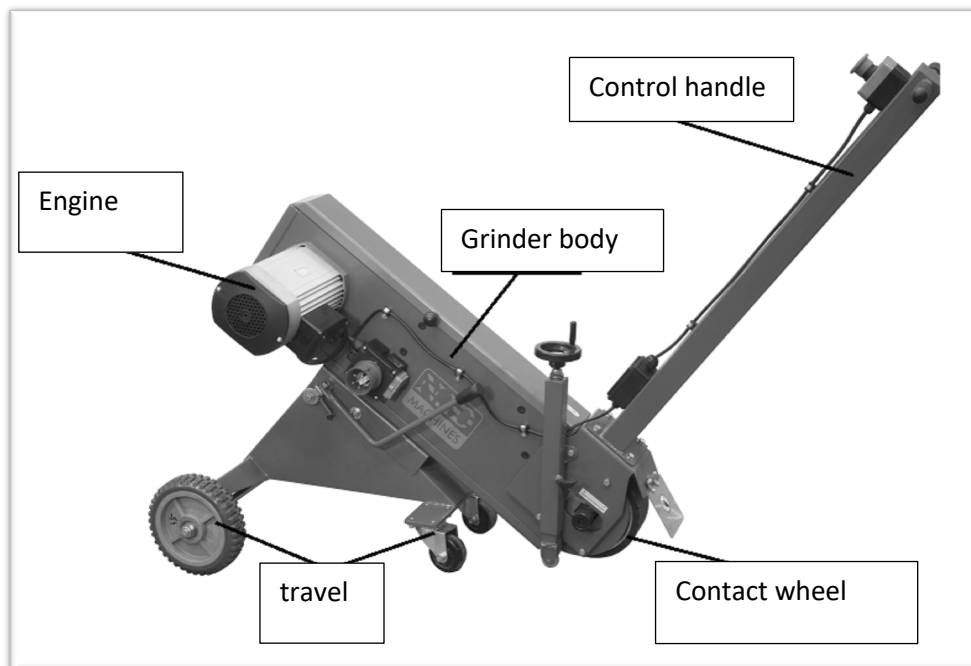
PART NO.	DESCRIPTION	QTY	Art. Nr.	PART NO.	DESCRIPTION	QTY	Art. Nr.
1	SUPPORT ASSEMBLY	1	1300_1	46	SUPPORTING PLATE	1	1300_46
2	JOYSTICK	1	1300_2	47	BLACK LEAD PLATE	1	307518/1
3	FIFTH WHEEL	1	1300_3	48	BEIVEN WHEEL GUIDE	1	1300_48
4	HANDLE	1	1300_4	49	HANDLE	1	1300_49
5	HANGER BEARING	1	1300_5	50	TAPER KNOB	1	1300_50
6	WHEEL	2	1300_6	51	SPRING	1	1300_51
7	WHEEL AXLE	1	1300_7	52	TENSION SPRING	2	1300_52
8	PULL RING	2	1300_8	53	SPRING	1	1300_53
9	REGULATING PLATE	2	1300_9	54	HANDWHEEL	1	BS75X2000_22
10	MECANUMWHEEL	2	1300_10	55	WEDGE LOCK	1	BS75X2000_21
11	DISTANCE SLEEVE	2	1300_11	56	DRIVEN GEAR	1	BS75X2000_11
12	GOBE	1	1300_12	57	ABRASIVE BAND	1	1300_57
13	MAIN SWITCH	1	1300_13	58	DRIVING WHEEL	1	BS75X2000_59
14	JUNCTION BOX	1	1300_14	59	HANDLE CONNECTING ROD	1	1300_59
15	HANDWHEEL	1	1300_15	60	BIANMENMEN COVER	1	1300_60
16	FIXED PIPE	1	1300_16	61	LOCATING BUSH	2	1300_61
17	LIFTING PIPE	1	1300_17	62	PLATE	1	1300_62
18	SCREW M12	1	1300_18	63	HANDLE	1	1300_63
19	FIXED CASTER	1	1300_19	64	HINGE	4	1300_64
20	HANDLE	1	1300_20	65	GEARSHIFT LEVER KNOB	1	1300_65
21	HEXAGON HEADED BOLT M10X120	1	1300_21	66	PATTERN HANDLE	2	1300_66
22	WASHER Φ 10	1	1300_22	67	HOLE CHECK RING	2	1300_67
23	LOCKNUT M10	1	1300_23	68	WHEEL AXLE	1	1300_68
24	WASHER Φ 14	6	1300_24	69	HINGE PIN	1	1300_69
25	NUT M14	4	1300_25	70	HEXAGON SOCKET COUNTERSUNK HEAD SCREWM8X16	4	1300_70
26	SCREW M6X50	1	1300_26	71	HEXAGON HEAD. BOLT M8X12	2	1300_71

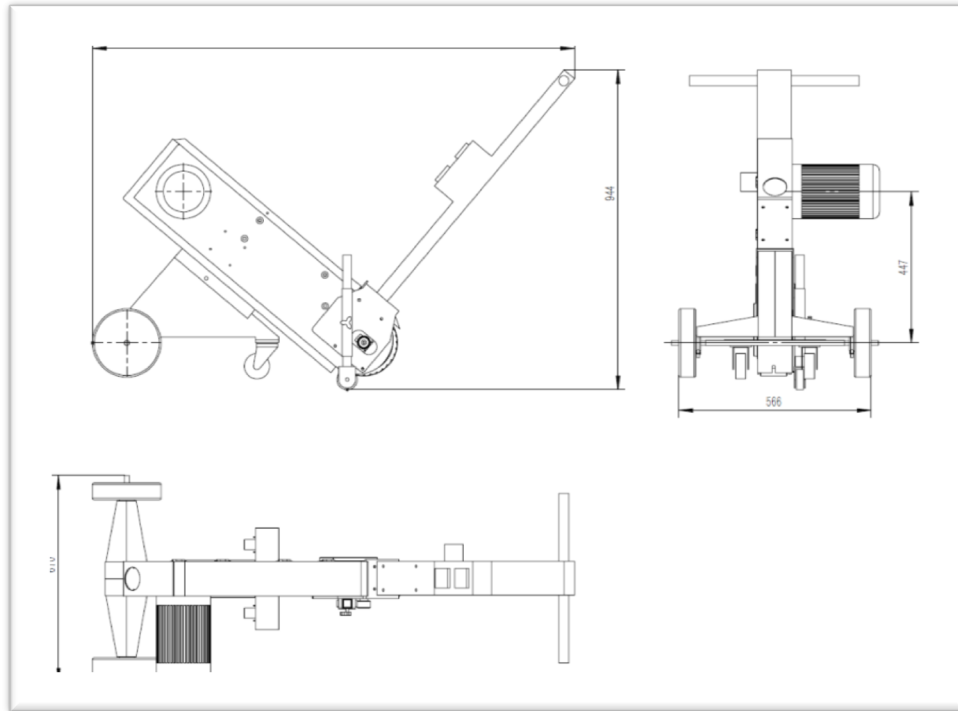
27	LOCKNUT M6	1	1300_27	72	HEXAGON HEADED BOLT M8X25	4	1300_72
28	SCREW M4X8	2	1300_28	73	HEXAGON HEADED BOLT M8X20	3	1300_73
29	WASHER Φ 4	2	1300_29	74	BUTTON HEAD SCREW M8X20	2	1300_74
30	NUT M4	2	1300_30	75	NUT M8	4	1300_75
31	SCREW M6X10	4	1300_31	76	BUTTON HEAD SCREW M4X6	16	1300_76
32	HEXAGON HEADED BOLT M8X12	4	1300_32	77	INNER HEXAGON SCREW M6X20	1	1300_77
33	WAD	16	1300_33	78	HEXAGON HEADED BOLT M6X14	1	1300_78
34	HEXAGON HEADED BOLT M8X30	4	1300_34	79	WASHER Φ 35X Φ 8X3	1	1300_79
35	LOCKNUT M12	2	1300_35	80	SPRING WASHER Φ 8	9	1300_80
36	LOCKNUT M8	2	1300_36	81	COTTER PIN Φ 3X20	1	1300_81
37	HEXAGON HEADED BOLT M8X20	9	1300_37	82	INNER HEXAGON SCREW M5X20	1	1300_82
38	SCREW	6	1300_38	83	DEEP GROOVE BALL BEARINGS 6204	2	1300_83
39	THRUST BEARING 51101	2	1300_39	84	WASHER Φ 6	1	1300_84
40	HINGE	2	1300_40	85	NUT M6	2	1300_85
41	ELECTRIC MACHINE	1	1300_41	86	LOCKNUT M6	1	1300_86
42	FUSELAGE	1	1300_42	87			
43	WICKET DOOR	1	1300_43	88			
44	TOP TABLE	1	1300_44	89			
45	U -SUPPORT	1	1300_45	90			

13.2 Wiring diagram



13.3 Basic dimensions and parts of the PASOVEC 75 RUNNER mobile belt grinder





A copy of this manual comes with each RUNNER machine.

All rights reserved.

No part of this publication may be reproduced without the prior consent of N.KO

N.KO spol. s r.o.

Táborská 398/22

293 01 Mladá Boleslav

The Czech Republic

phone: +420 326 772 001

[*nko@nko.cz*](mailto:nko@nko.cz)

BEVELER USA INC.

a Member of Richtr Group

producer of bevelling machines

328 14th Street

Ambridge, PA 15003

6538 Collins Avenue, #286

Miami Beach, FL 33141

[*sales@bevelerusa.com*](mailto:sales@bevelerusa.com)

[*info@bevelerusa.com*](mailto:info@bevelerusa.com)